



Bill and Hillary Clinton National Airport, Little Rock, AR / Photo: © Bob Perzel

Designed to withstand exterior environments and wind loading, the 150F Exterior metal ceiling system is ideal for soffits.

### FEATURES AND BENEFITS

- Panel Sizes:
  - Panel width: 6" nom. [150 mm]
  - Panel lengths: 3' to 20'
  - Panel depth: 11/16"
- Waste reduction with factory fabricated dimensional material
- Downweight: reduce dead load with lightweight aluminum
- Interior and exterior applications
- Compatible with industry standard lighting, HVAC, speaker, fire safety, and security services
- Luxacote® high-performance finish resists exterior environmental conditions including UV
- Perforated panels are available only for exterior ventilation and may not exceed 10% of the total ceiling area
- Factory assembled access doors available
- Miami-Dade County, FL NOA No. 21-0427.06 (expires March 19, 2025)

### ATTRIBUTES



**FIRE RATING:**  
CLASS A  
PER ASTM E84



**SEISMIC RATING:**  
ZONES A, B, C, D, E, F



**CUSTOMIZATION  
AVAILABLE**

### LEED® v4

RECYCLED CONTENT

up to 92%

- ✓ EA: Optimize Energy Performance
- ✓ MR: Building Product Disclosure
- ✓ EQ: Low-Emitting Materials
- ✓ EQ: Indoor Air Quality Assessment
- ✓ EQ: Daylight

LEED® is a registered trademark of the U.S. Green Building Council.

### CERTIFICATIONS



**GREENGUARD:  
GOLD CERTIFIED**



**EPD AVAILABLE**

# 150F - LINEAR METAL SOFFIT SYSTEM

## COLORS AND FINISHES

A wide choice of colors and finishes are available and some carry a premium price over manufacturer's standard colors. Custom color matching is available upon request. Minimum quantities and lead times may apply. See website for the most up to date information and to order samples. Colors are for illustration purposes only.

### STANDARD PAINT COLORS



Luxacote Lighthouse  
White 0401

Luxacote Natural  
7080

### CUSTOM COLORS



Premium Custom Colors

### ANODIZED FINISH OPTIONS

Anodized aluminum class II finish for Aged Bronze #10008 (Matte); Britannia Pewter #10009

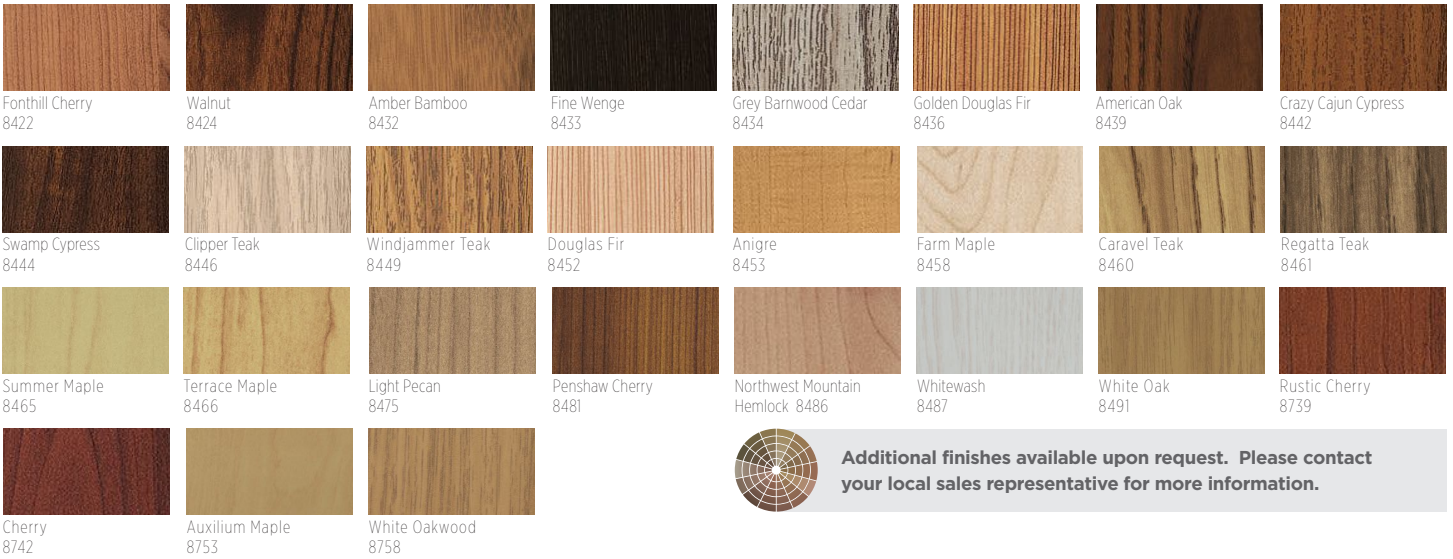


Aged Bronze  
10008

Britannia Pewter  
10009

### DECORATED (POWDER-COAT) WOOD-LOOK OPTIONS

Powder-coat paint finish (interior and exterior). Formaldehyde-free, Class A composite panel. This finish is recommended for exterior conditions.

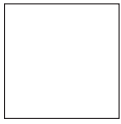


**Additional finishes available upon request. Please contact your local sales representative for more information.**

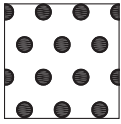
# 150F - LINEAR METAL SOFFIT SYSTEM

## PERFORATION PATTERNS

Standard patterns shown. Scale shown: 1:1, unless otherwise noted.



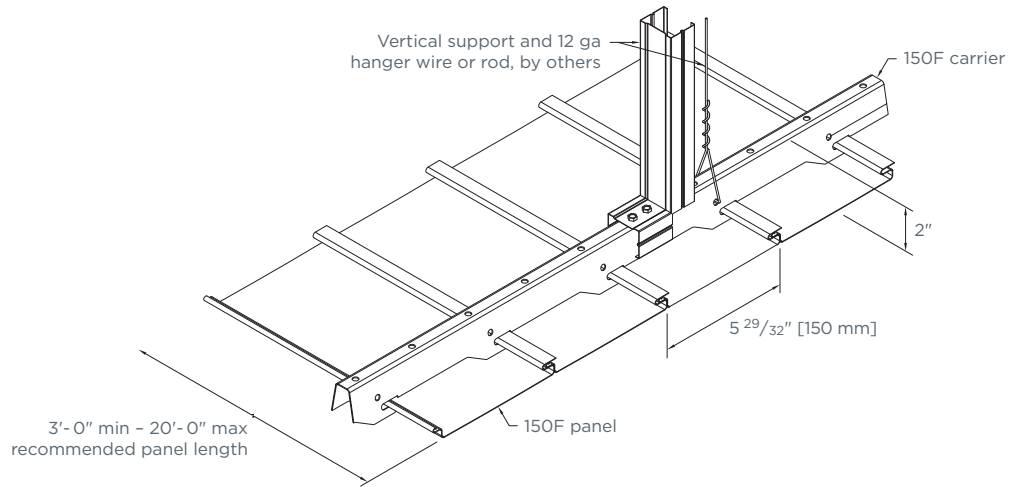
Non-perforated



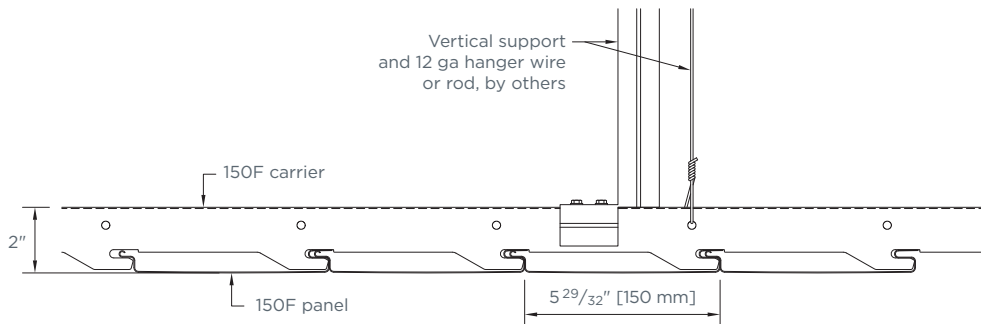
Pattern #124  
Perf. dia.: .078 in.  
Open area: 15%

## INSTALLATION EXAMPLES

### Typical Isometrics



### Typical Sections



Additional options available for design flexibility, contact your local sales representative to get started.



Mercantil Commercebank, Houston, TX / Photo: © Bob Perzel

## PHYSICAL DATA

### MATERIAL

Aluminum

### WEIGHT

Varies 0.5 – 0.75 lbs./sq.ft.

### FIRE RATING

Class A Fire Rated per ASTM E84

- Painted or anodized metal:

Flame spread:  $\leq 25$ , Smoke  $\leq 50$

### SEISMIC RATING

Zones A,B,C,D,E,F

### WIND LOAD

Per code. Designed and tested in accordance with the requirements of the Florida Building Code 7th edition (2020), including the High Velocity Hurricane Zone (HVHZ) provisions and Miami-Dade requirements. Miami-Dade County, Florida NOA No. 21-0427.06 (expires March 19, 2025)

### RECYCLED CONTENT

Up to 92%

### WARRANTY

1-year Limited Warranty.

Full warranty information can be found at [certainteed.com/warranty](https://www.certainteed.com/warranty)



## CertainTeed ARCHITECTURAL

METAL • WOOD • FELT • FIBERGLASS & MINERAL FIBER • GYPSUM • SUSPENSION & INTEGRATED SYSTEMS  
20 Moores Road, Malvern, PA 19355 800-366-4327 [CertainTeed.com/Architectural](https://www.CertainTeed.com/Architectural)